



DRYER

ADEE9R ELECTRIC **ADGE9R** GAS
REAR CONTROL – TOUCH



MADE IN AMERICA, BUILT TO LAST SINCE 1908

 **Speed Queen.**

PROVEN PERFORMANCE SINCE 1908

From Australian mines and oil rigs to the US Army, Speed Queen has over a century of experience performing in the harshest environments around the world, earning a reputation for reliability and performance.

With the toughest dryer in its class, you can get Speed Queen's uncompromising performance at home.

DURABLE

Built to last up to 25 Years in the home or 10,400 cycles.

TRUSTED

Over 100 years of experience manufacturing laundry equipment.

QUALITY

198 Litre commercial capacity, industrial grade element and motor.

EFFICIENCY

Auto and manual cycle times, completes a full load in less than 60 minutes.

CONVENIENT

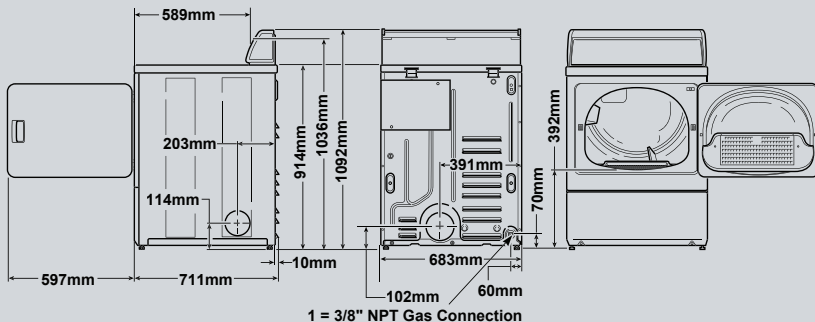
Easy to use programmable options & interior light.

DRYER ADEE9R / ADGE9R

Cylinder	Powder Coated White
Electrical Requirements	240V / 50Hz AC / 1 Ph
Dryer Breaker Size	20 Amp (electric) 10 Amp (gas)
Drying Cycles	8 including Sensor Dry
Extra Options	Anti-wrinkle & EcoDry
Electric Heating	4,000 W (electric)
Gas Consumption (Mj/Hr)	50 Hz: 21.1 (gas)
Capacity	198 L



MATCHING 8.5KG TOP LOAD WASHING MACHINE: AWNE92



To learn more about Speed Queen's century of uncompromising performance and reliability, visit speedqueen.co.nz or call 0800 77 333 7 today.

Five year warranty on all parts and labour.

For the most accurate information, the installation guide should be used for all design and construction purposes. Due to continuous product improvements, design and specifications are subject to change without notice. The quality management system of Alliance Laundry Systems' Ripon facility has been registered to ISO 9001:2000.